

ONE PIECE BALL VALVE SERIE 10-100 DN 8-50 PN 40



Features

- one piece body
- available in stainless steel
- no request on maintenance
- blow-out-proof stem
- investment cash body and cap
- handlever with locking device

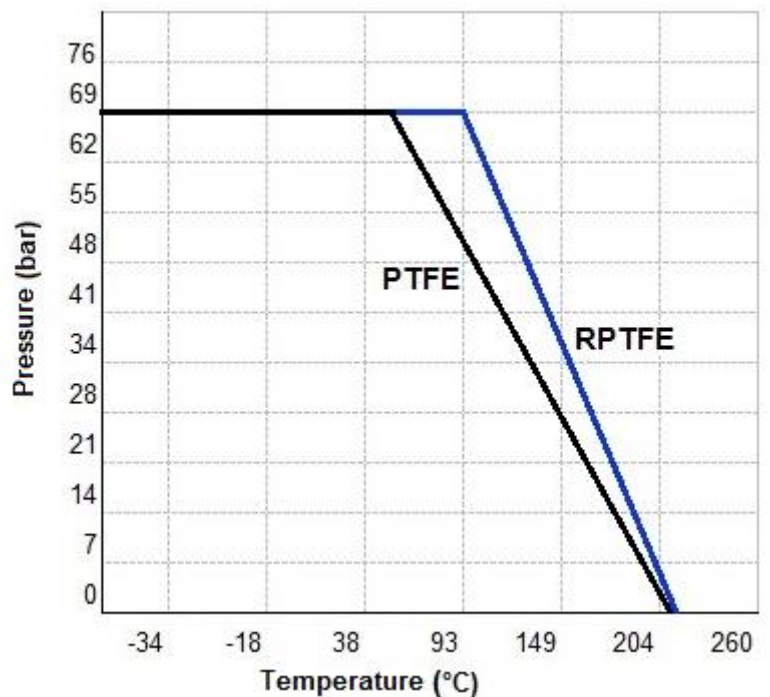
Application

- DN 8 . 50
- PN 40 (PN 16 for steam)
- temperature range: - 40°C+ 215°C
- in different industrial branches

Assembly

- in any position

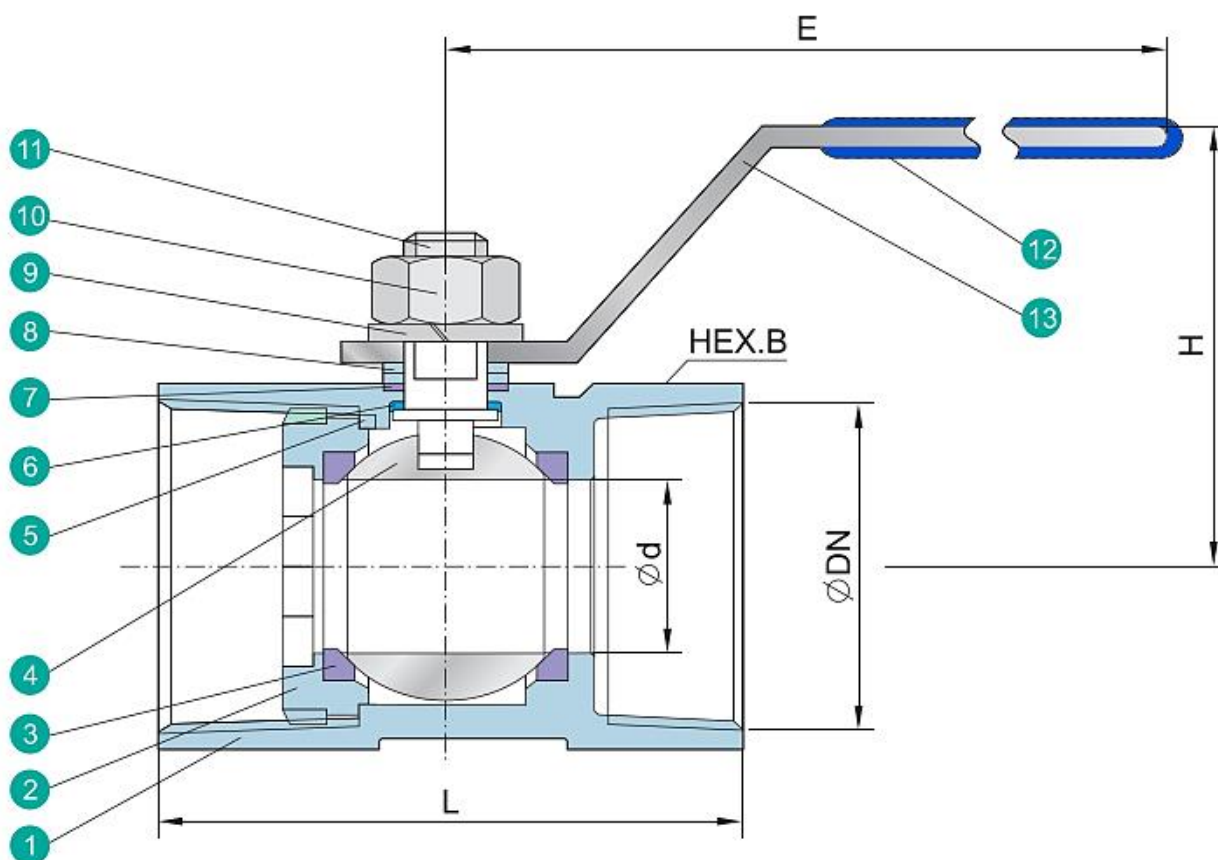
Diagram pressure/temperature



ONE PIECE BALL VALVE

SERIE 10-100

DN 8-50 PN 40



No.	Part	Materials		
1	Body	CF8M	CF8	WCB
2	End Plug	CF8M	CF8	WCB
3	Ball seat	PTFE		
4	Ball	CF8M	CF8	
5	Body gasket	PTFE		
6	Thrust washer	PTFE		
7	Stem packing	PTFE		
8	Gland nut	SUS 304		
9	Stem washer	SUS 304		
10	Stem nut	A194-8		
11	Stem	SUS 304	SUS 316	
12	Plastic cover	plastic		
13	Lever	SUS 304		

DN	d	L	H	E	HEX.B
8	5	39	34	70	17
10	7	44	35	80	21
15	9,1	59	44	92	25
20	12,5	60	46	92	32
25	15	72	51	115	38
32	20	77	58	115	48
40	25	84	66	127	53
50	32	100	72	127	66