

## TWO PIECE BALL VALVE SERIE 20 - 300 DN 8 - 80 PN 63



### Features

- two-piece body
- available in stainless steel
- no request on maintenance
- blow-out proof stem
- investment cash body and cap
- handlever with locking device
- screwed ends

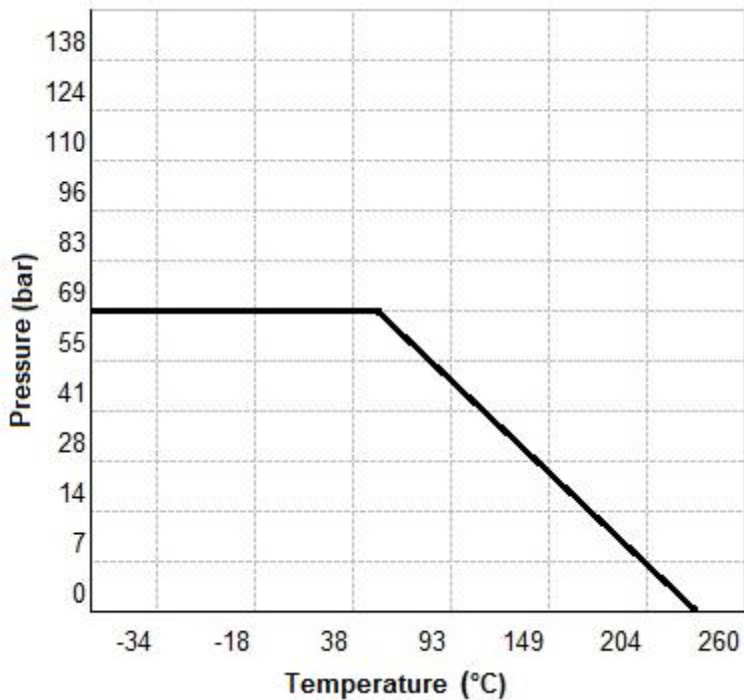
### Application

- DN 8 - 80
- PN 63
- temperature range: - 40°C+ 215°C
- in different industrial branches

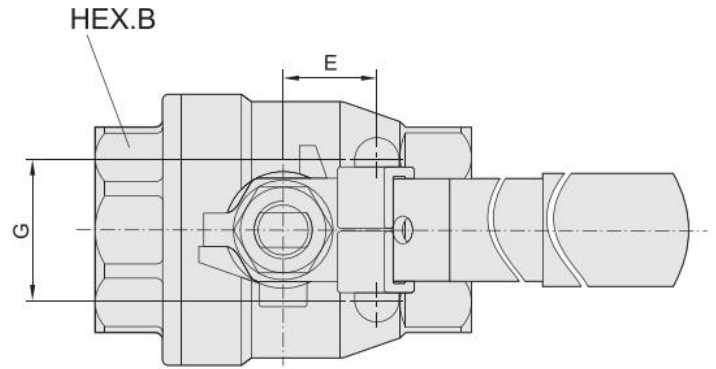
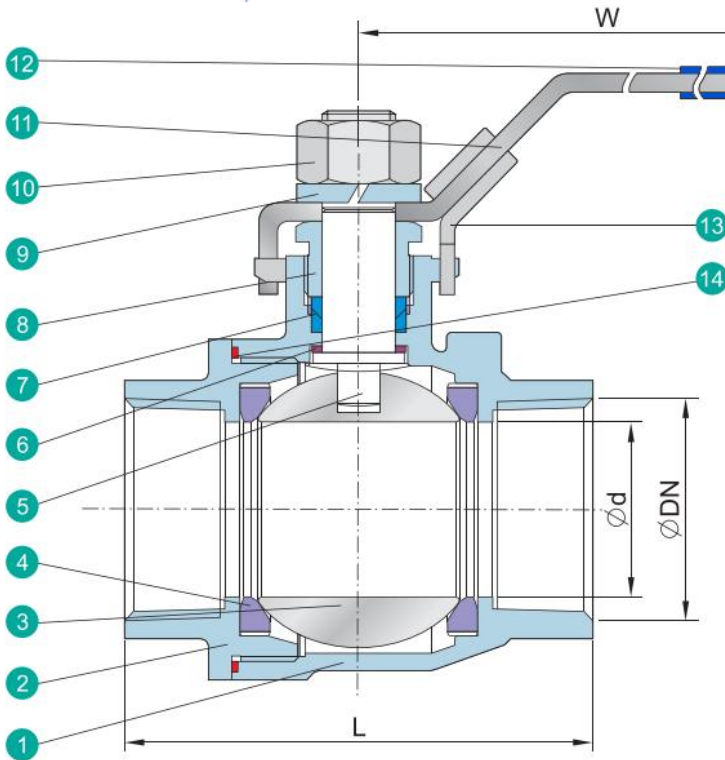
### Assembly

- in any position

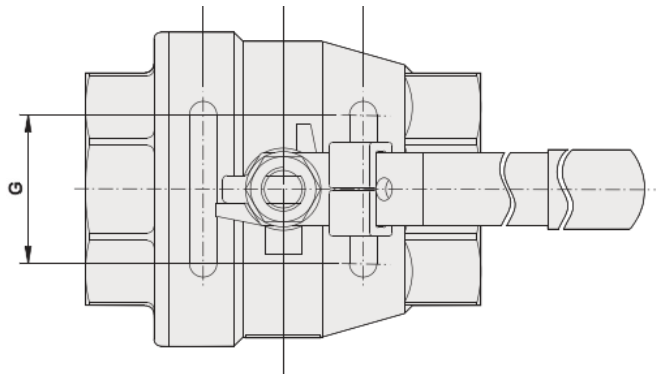
Diagram pressure/temperature



## TWO PIECE BALL VALVE SERIE 20 - 300 DN 8 - 80 PN 63



DN 8 - 50



DN 65 - 80

No.	Part	Materials		
1	Body 1	CF8M	CF8	WCB
2	Body 2	CF8M	CF8	WCB
3	Ball	CF8M	CF8	
4	Ball seat	PTFE		
5	Stem	SUS 316	SUS 304	
6	Packing	PTFE		
7	Stem packing	PTFE		
8	Gland nut	SUS 304		
9	Stem washer	SUS 304		
10	Stem nut	A194-8		
11	Lever	SUS 304		
12	Plastic cover	plastic		
13	Locking device	SUS 304		
14	Gasket	PTFE		

DN	Ø d	L	H	W	E	G	HEX.B
8	10,6	52	58	100	12,7	28,5	23,5
10	12	52	58	100	12,7	28,5	23,5
15	15	58	58	100	12,7	28,5	25
20	20	67	64	129	22	34,8	32
25	25	78	77	156	22	34,8	41
32	32	90	83	156	23,6	38,1	50
40	38	104	96	182,5	23,6	38,1	56
50	50	127	102	182,5	23,6	38,1	70
65	63,5	158	129	252	35	65	83
80	76	187	138,5	252	35	65	102