

## SOLENOIDVALVE NAMUR 3/2 G 1/4" pro Ex

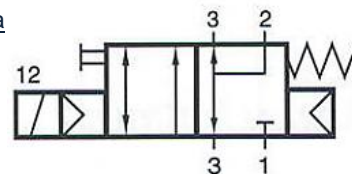


MNH 311 701 Exia

MNH 311 701 Exia

### Description

- solenoidvalve 3/2
- NC
- connections acc. to NAMUR
- in combination of springs, assuring a fail – safe function in case of cut-off of pressure suply
- safe position when air pressure failure
- mechanical control
- ATEX certificate
- Temperature range from -10°C to +50°C

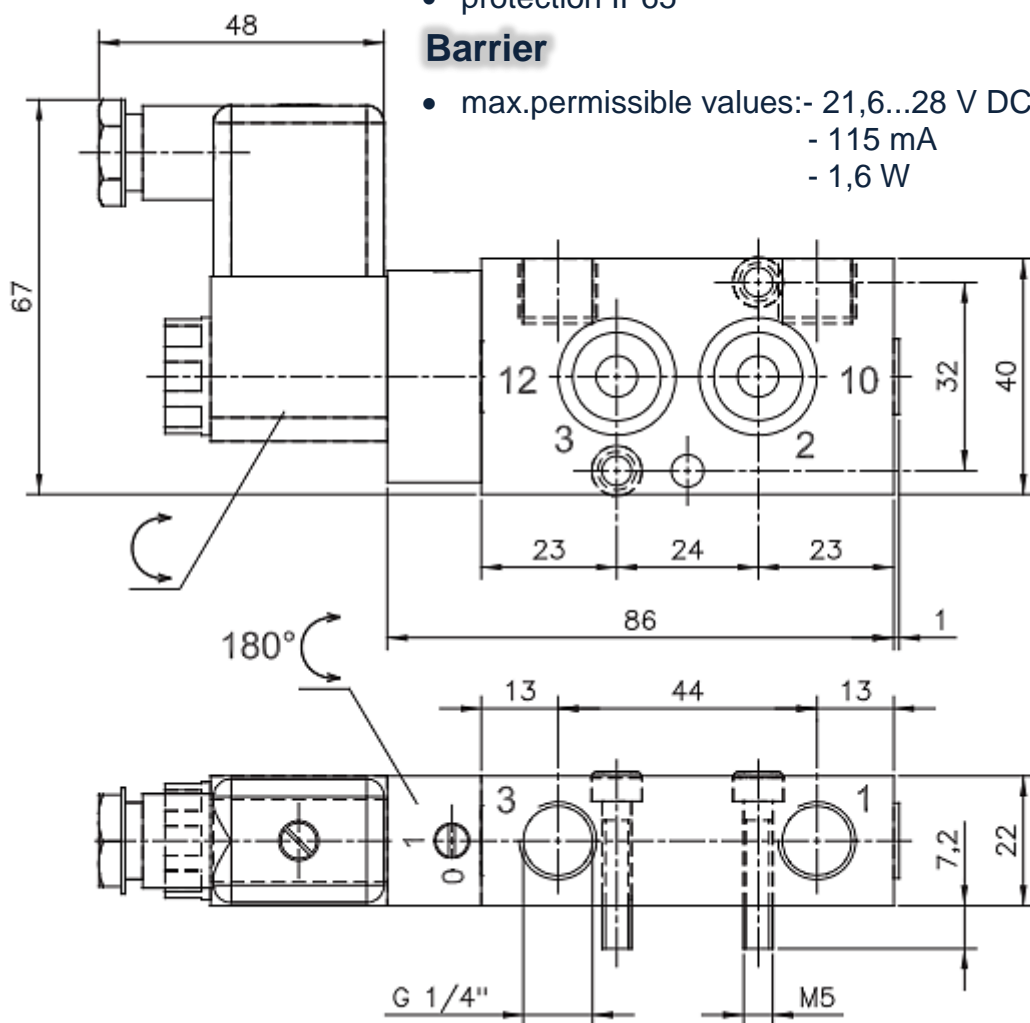


### Technical details

- coil voltage 21,6..28V DC
- protection IP65

### Barrier

- max.permissible values:- 21,6...28 V DC  
- 115 mA  
- 1,6 W



Type	Funktion	Port size	Air flow	Operating pressure	Power consumption	Weight
MNH 311 701 Exia	NC	G 1/4"	1250 l/min	1,5 - 10 bar	3W=5VA~	0,27 kg