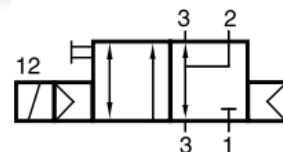


## SOLENOIDVALVE NAMUR 3/2 G 1/4" Ex execution

MNH 310 701 pro Ex



### Descripton

- solenoidvalve 3/2
- NC
- connections acc. to NAMUR
- in combination of springs
- safe position when air pressure failure
- mechanical control
- ATEX certificate
- Temperature range -10°C a0 +50°C

### Technical details

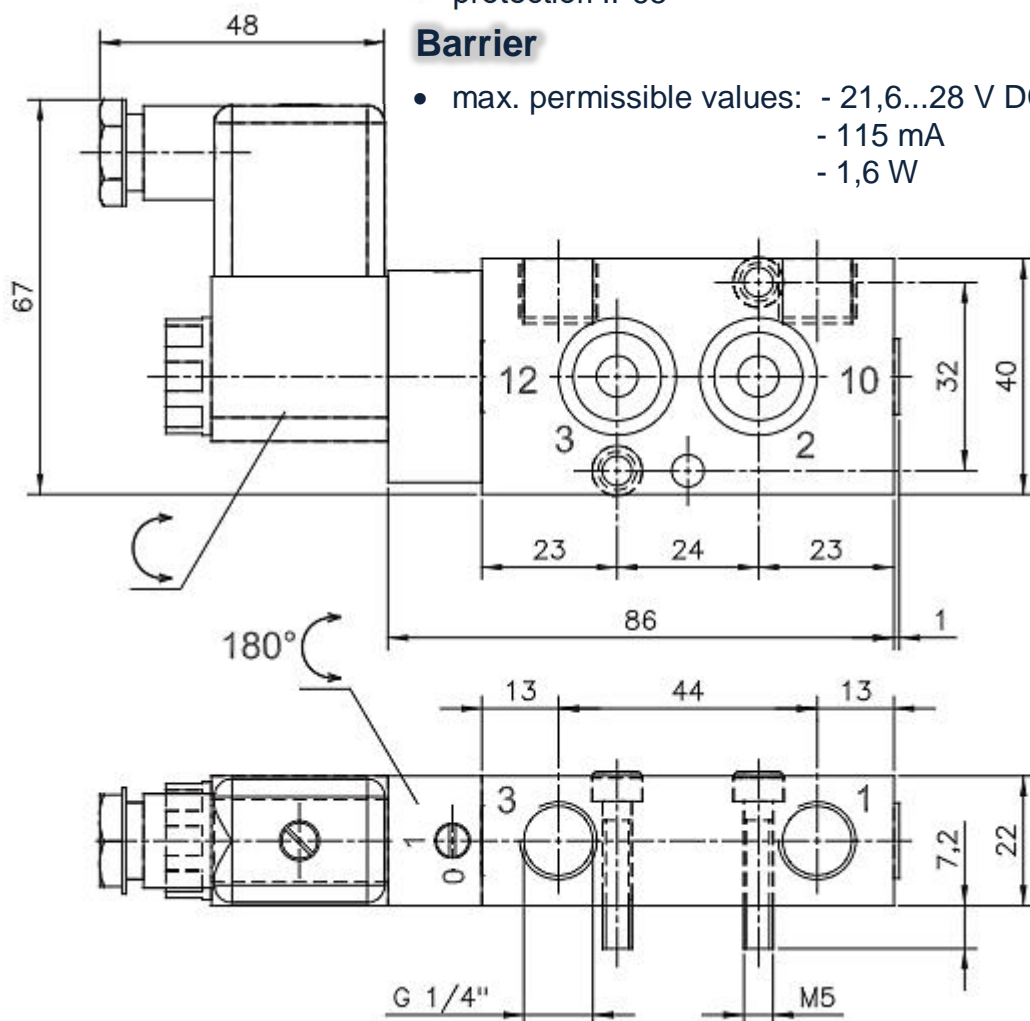
- coil voltage 21,6..28V DC
- protection IP65

### Barrier

- max. permissible values: - 21,6...28 V DC  
- 115 mA  
- 1,6 W



MNH 310 701 pro Ex



Type	Funktion	Port size	Air flow	Operating pressure	Power consumption	Weight
MNH 310 701	norm. zav eno	G 1/4"	1250 l/min	1,5 - 10 bar	3W=5VA~	0,27 kg