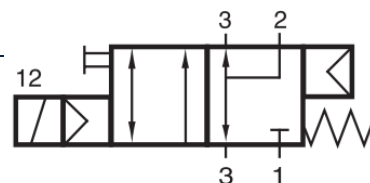


## SOLENOID VALVE NAMUR 3/2 G 1/4"

MNH 311 701



### Description

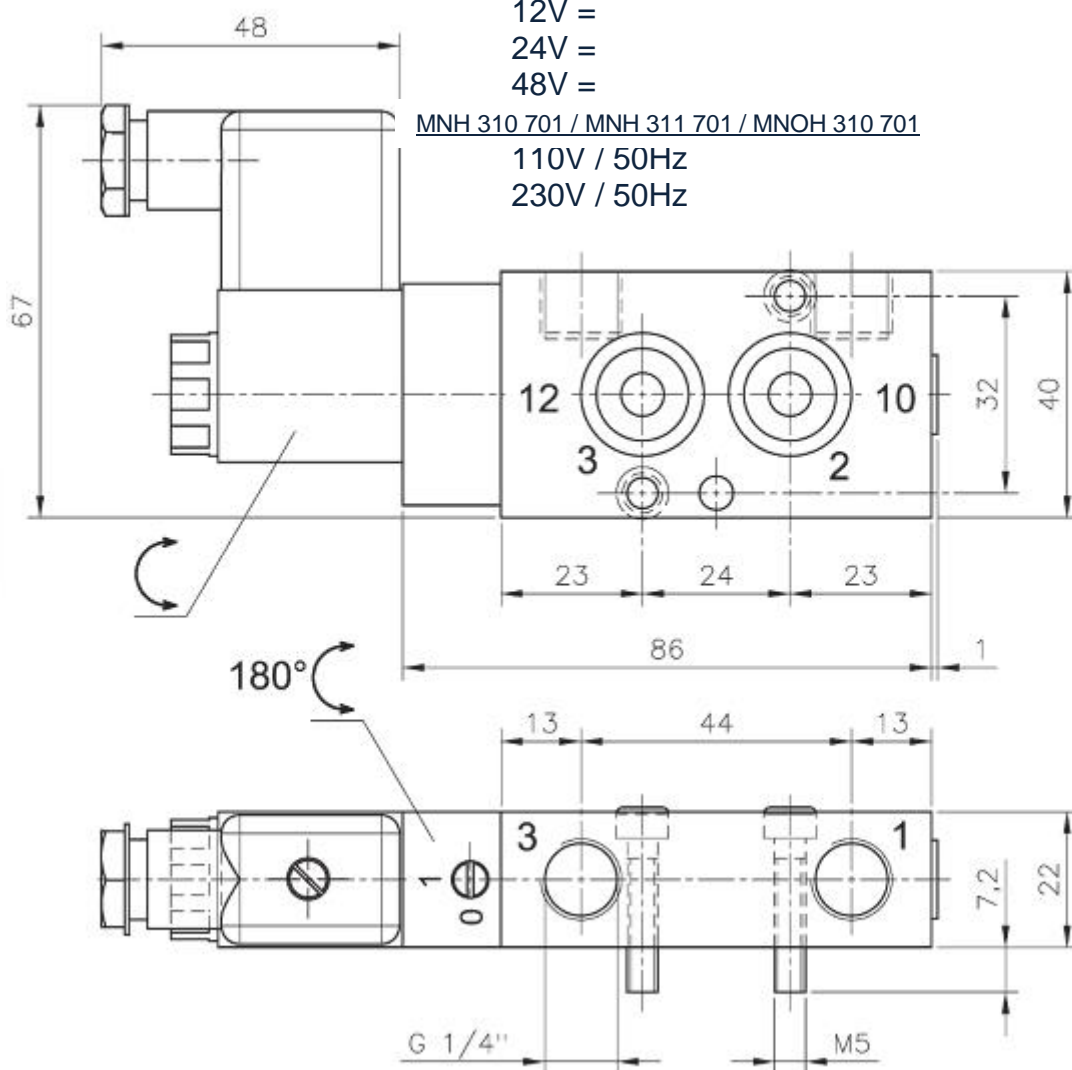
- solenoid valve 3/2
- normally closed
- connection acc. to NAMUR
- in combination of springs (air+mechanical)
- safe position when air pressure failure
- mechanical operation

### Technical parametres

- Standard coil voltage  
12V =  
24V =  
48V =

MNH 310 701 / MNH 311 701 / MNOH 310 701

- 110V / 50Hz
- 230V / 50Hz



Type	Function	Port size	Air flow	Operating press.	Power cons.	Weight
MNH 310 701	norm.closed	G 1/4"	1250 l/min	2 - 10 bar	3W=5VA~	0,27 kg
MNOH 310 701	norm. opened	G 1/4"	1250 l/min	2 - 10 bar	3W=5VA~	0,27 kg
MNH 310 711	norm. closed	G 1/4"	1250 l/min	2 - 10 bar	3W=5VA~	0,27 kg
MNH 311 701	norm. closed	G 1/4"	1250 l/min	2,5 - 10 bar	3W=5VA~	0,27 kg

MNH 310 121	norm. closed	G 1/2"	3000 l/min	1 - 10 bar	3W=/5VA~	0,27 kg
-------------	--------------	--------	------------	------------	----------	---------