

## METAL DIAPHRAGM VALVE TYPE 385 / 587 2/2 WAY, PNEU OPERATED DN15 – DN80



TYPE 385



TYPE 587

### Construction

**385** Pneumatically operated valve with plastic actuator normally closed (NC)

**587** Pneumatically operated valve with plastic actuator normally open (NO) or doubly acting (DA)

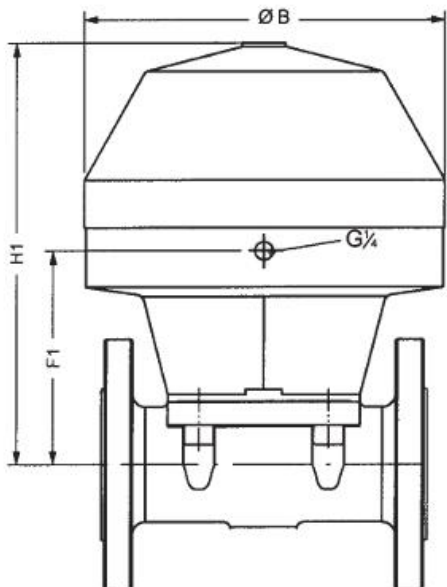
### Construction

- bubble tight sealing
- installation in any position
- compact construction
- maintenance free

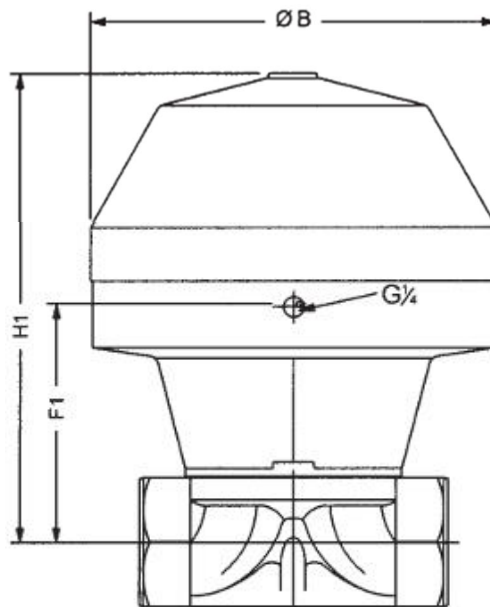
excellent flow characteristics  
flow can be in either direction  
process media can be neutral and aggressive  
dependent upon material of body and diaphragm

DN	PN	Max. operating pressure (bar)	Max. control pressure (bar) Type 385 (NC)	Max. control pressure (bar) Type 587 (NO/DA)	Kv M <sup>3</sup> /h	Filling Volume Type 385 NC (NL)	Filling Volume Type 587 NO/DA (NL)	Face to face DIN3202				Face to face MSS-SP88		Face to face BS5156				
								GG 25	GG25 Rubber Lined	*GGG 40.3 PFA Lined	*GGG 40.3 PP Lined	Stainless Steel	Stainless Steel - PFA Lined	Stainless Steel	*GGG 40.3 PFA Lined	*GGG 40.3 PP Lined	Stainless Steel	*GGG 40.3 PFA Lined
15	10	145	6	5	7	0,16	0,06	X		X	X	X	X			X		
20	10	145	6	5	14	0,16	0,06	X	X	X	X	X	X	X	X	X	X	X
25	10	145	6	5	20	0,16	0,06	X	X	X	X	X	X	X	X	X	X	X
32	10	145	6	5	36	0,36	0,11	X	X	X	X	X	X	X	X	X	X	X
40	10	145	6	5	40	0,36	0,11	X	X	X	X	X	X	X	X	X	X	X
50	10	145	6	5	80	1,15	0,32	X	X	X	X	X	X	X	X	X	X	X
65	6	87	6	5	120	2,1	2,2			X	X	X				X		
80	6	87	6	5	160	2,1	2,2			X	X	X				X		

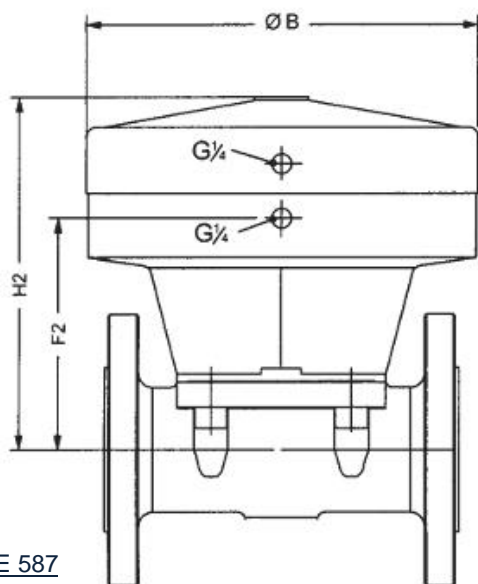
## METAL DIAPHRAGM VALVE TYPE 385 / 587 2/2 WAY, PNEU OPERATED DN15 – DN80



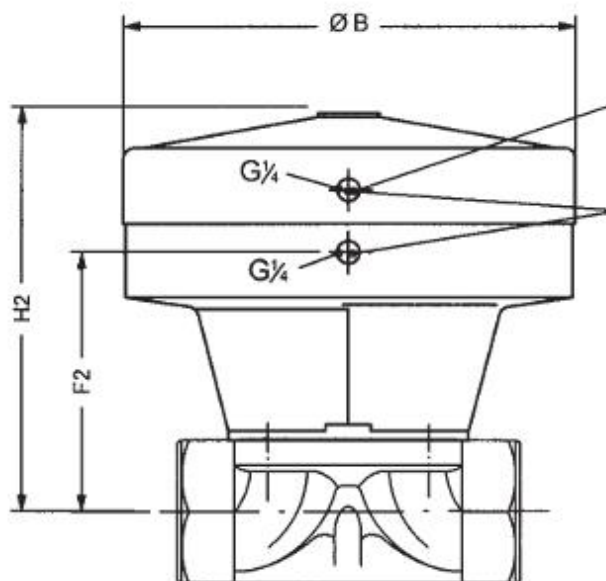
TYPE 385



TYPE 385



TYPE 587



TYPE 587

Control pressure connection NO

Control pressure connection DA

DN	ØB	Type 385			Type 587			Type 385 with Threaded Socket			Type 587 with Threaded Socket		
		F1	H1	kg	F2	H2	kg	F1	H1	kg	F2	H2	kg
15	130	66	160	3,1	95	128	2,1	57	151	1,9	86	119	1,9
20	130	66	160	3,7	95	128	2,7	60	154	2,0	89	122	2,0
25	130	70	160	4,2	95	129	3,2	64	154	2,3	89	123	2,3
32	161	108	208	7,7	134	167	6,7	104	204	4,5	130	163	4,5
40	161	108	213	8,2	134	171	7,2	101	206	4,9	127	164	4,9
50	218	127	263	13,2	159	203	12,7	123	259	8,6	155	199	8,6
65	265	182	330	26,0	225	291	23,4						
80	265	182	330	26,0	225	291	23,4						