

SOLENOID VALVE NAMUR 5/2

G 1/4" Ex execution

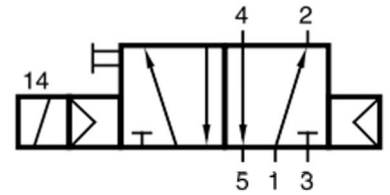


MNH 510 701 Ex

Description

- solenoid valve 5/2
- connections acc. to NAMUR
- with air spring
- mechanical control
- ATEX certificate
- Temperature range -10°C a0 +50°C

MNH 511 701 Ex

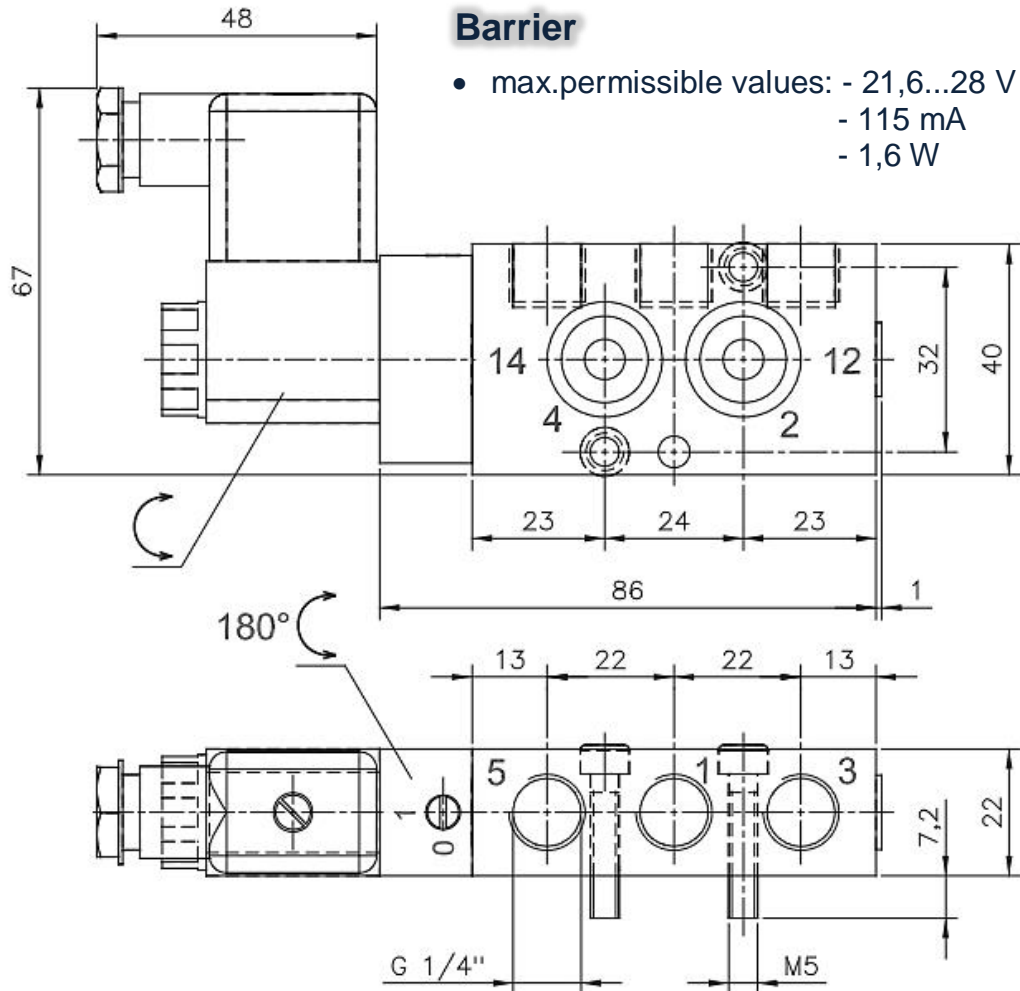


Technical details

- coil voltage 21,6..28V DC
- protection IP65

Barrier

- max.permmissible values: - 21,6...28 V DC
- 115 mA
- 1,6 W



Type	Funktion	Port size	Air flow	Operating pressure	Power cons.	Weight
MNH 510 701		G 1/4"	1250 l/min	2 . 10 bar	3W~/5VA~	0,26 kg