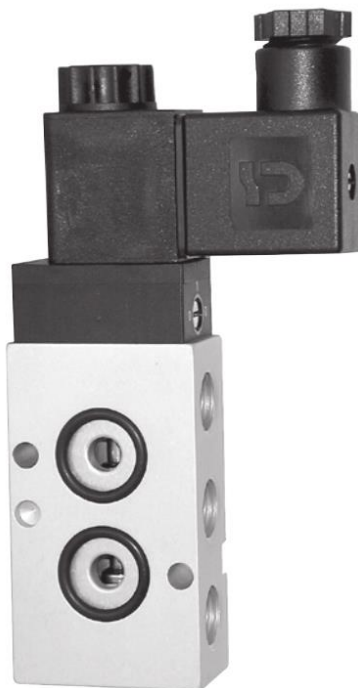
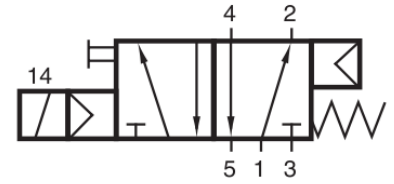


SOLENOID VALVE NAMUR 5/2

G 1/4"

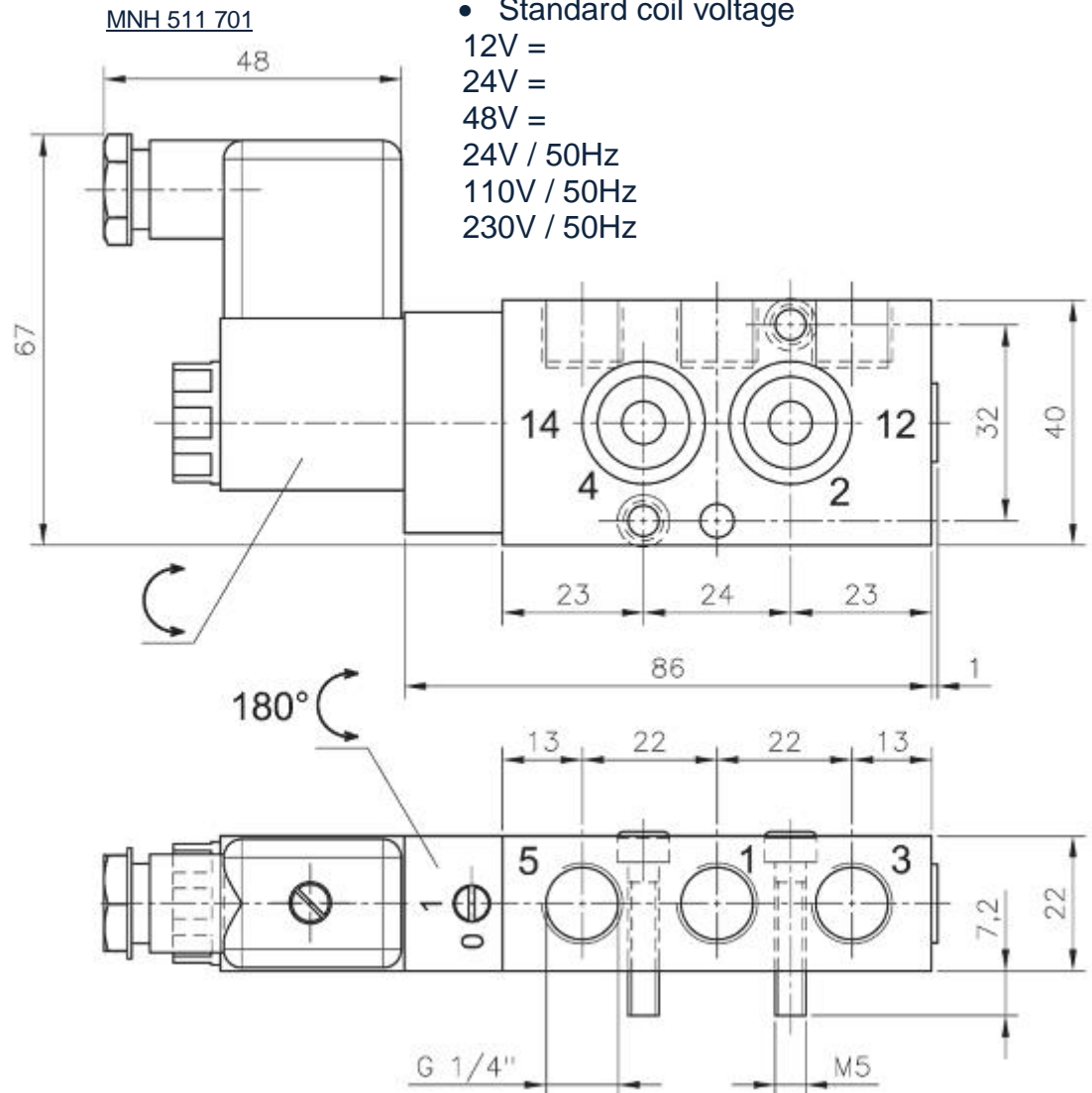
Description

- solenoid valve 5/2
- connection acc. to NAMUR
- with air spring
- mechanical control



Technical parametres

- Standard coil voltage
 - 12V =
 - 24V =
 - 48V =
 - 24V / 50Hz
 - 110V / 50Hz
 - 230V / 50Hz



Type	Function	Port size	Air flow	Operating press.	Power cons.	Weight
MNH 510 701	-	G 1/4"	1250 l/min	2 - 10 bar	3W=/5VA~	0,26 kg
MNH 510 711	-	G 1/4"	1250 l/min	2 - 10 bar	3W=/5VA~	0,26 kg
MNH 511 701	-	G 1/4"	1250 l/min	2,5 - 10 bar	3W=/5VA~	0,26 kg
MNH 511 711	-	G 1/4"	1250 l/min	2,5 - 10 bar	3W=/5VA~	0,26 kg