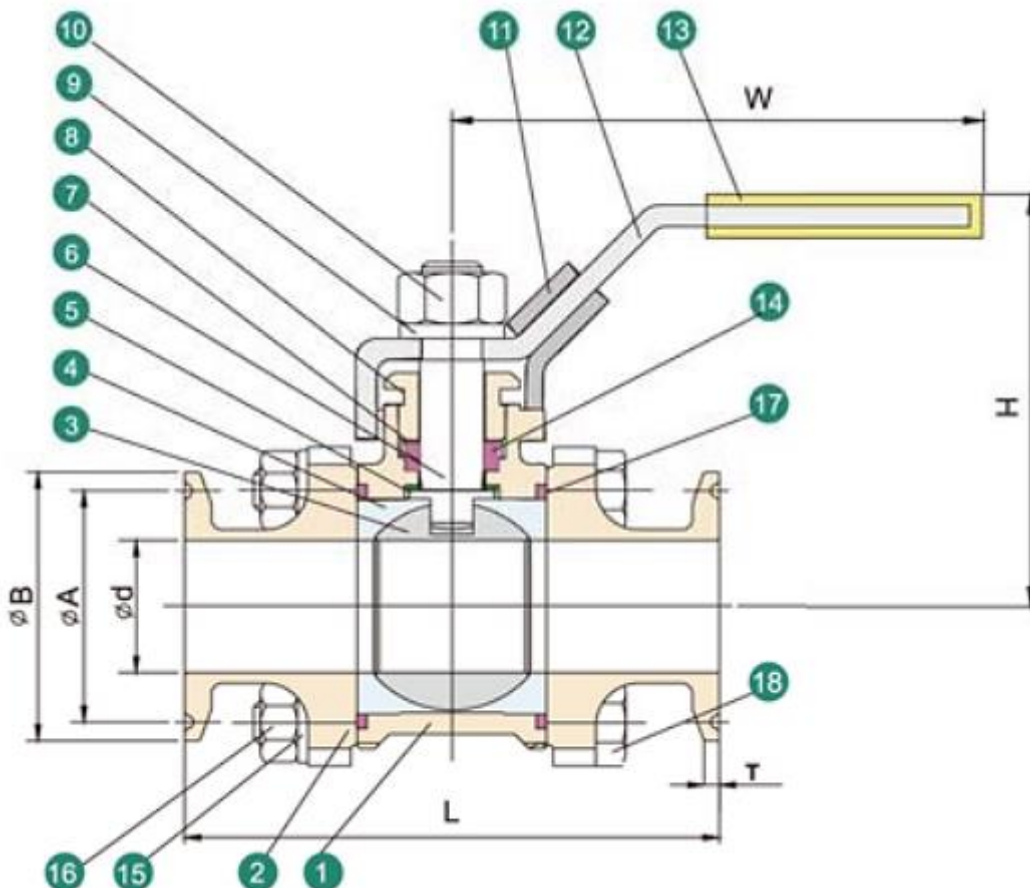


3-PIECES SANITARY BALL VALVE SERIE 50 DN 15 – 80 PN 63

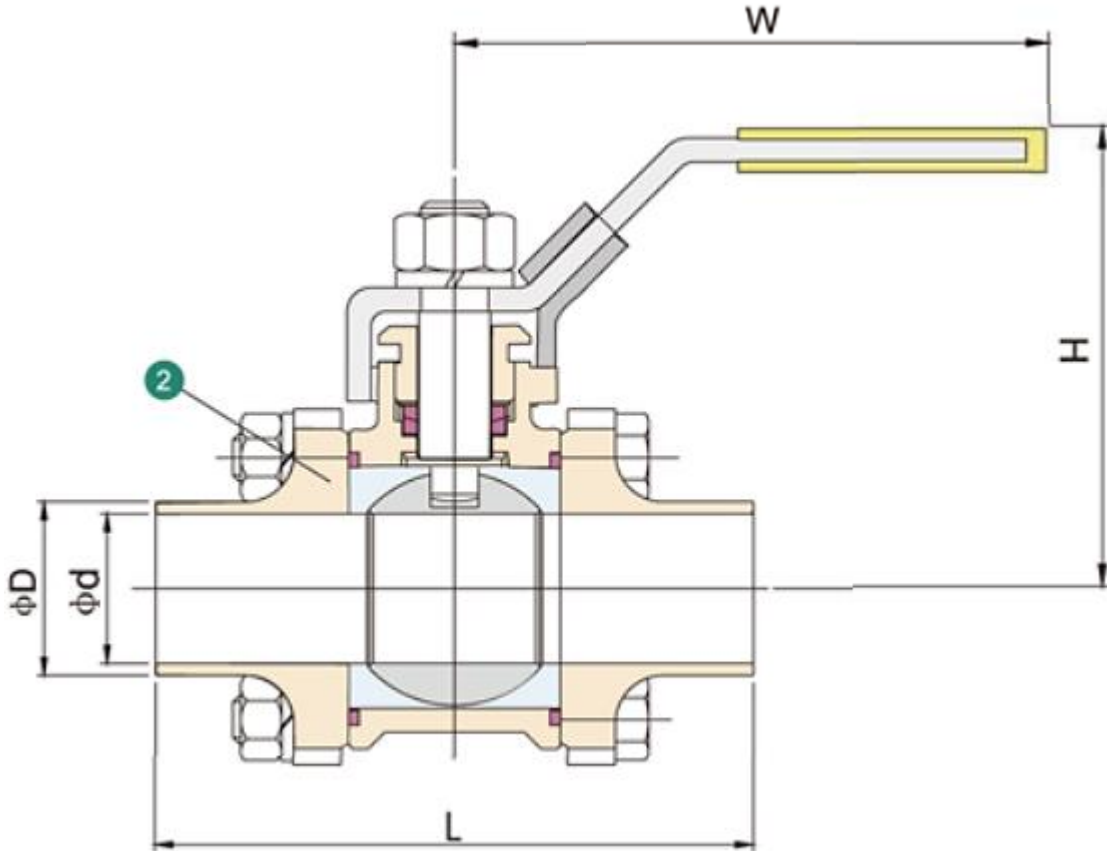


Description

- sanitary ball valve
- butt weld / T-Clamp connection
- three-pieces design
- investment castings
- floating balls compensating wear-out and temperature dilatation
- full-port
- anti-blow-out stem
- made from stainless steel



3-PIECES SANITARY BALL VALVE SERIE 50 DN 15 – 80 PN 63



Components

	Part name	Materials
1	Body	CF3M/CF8M/CF8
2	Cap (Clamp)	CF3M/CF8M/CF8
	Cap (Welding)	CF3M/CF3M/CF8
3	Ball	CF3M/CF8M/CF8
4	Ball seat	PTFE/TFM1600
5	Thrust washer	PTFE
6	Stem	SUS316L/SUS316/SUS304
7	Bushing	SUS304
8	Gland nut	SUS304
9	Stem Washer	SUS304
10	Stem nut	A194-8
11	Locking device	SUS304
12	Handle	SUS304
13	Handle sleeve	VINYL PLASTIC
14	V-Ring packing	PTFE
15	Bolt washer	SUS304
16	řroub	A193-B8
17	Body gasket	PTFE
18	Bolt nut	A194-8



Elišky Přemyslovny 1343
156 00 Praha 5, mapol@iol.cz
tel: +420 257 921 545, fax: +420 257 921 659

**3-PIECES SANITARY BALL VALVE
SERIE 50
DN 15 – 80 PN 63**

Dimensions /mm/

DN	L	W	H
15	90	100	58,9
20	90	129	64
25	100	156	77
32	110	156	81
40	125	182,5	94
50	150	182,5	104,5
65	190	252	131
80	220	252	139

ISO 2852 / ISO 2037

DN	Ød	ØA	ØB	ØD	T
15	10,7	27,5	34,0	12,7	2,85
20	15,2	27,5	34,0	17,2	2,85
25	22,6	43,5	50,5	25,0	2,85
32	31,3	43,5	50,5	33,7	2,85
40	35,6	43,5	50,5	38,0	2,85
50	48,6	56,5	64,0	51,0	2,85
65	60,3	70,5	77,5	83,5	2,85
80	72,9	83,5	91,0	76,1	2,85

BS4825 ASME BPE

DN	Ød	ØA	ØB	ØD	T
15	9,5	20,3	25,4	12,7	3,7
20	15,85	20,3	25,4	19,1	3,7
25	22,2	43,5	50,5	25,4	2,85
32	-	-	-	-	-
40	34,9	43,5	50,5	38,1	2,85
50	47,6	56,5	64,0	50,8	2,85
65	60,3	70,5	77,5	63,5	2,85
80	73	83,5	91,0	76,2	2,85