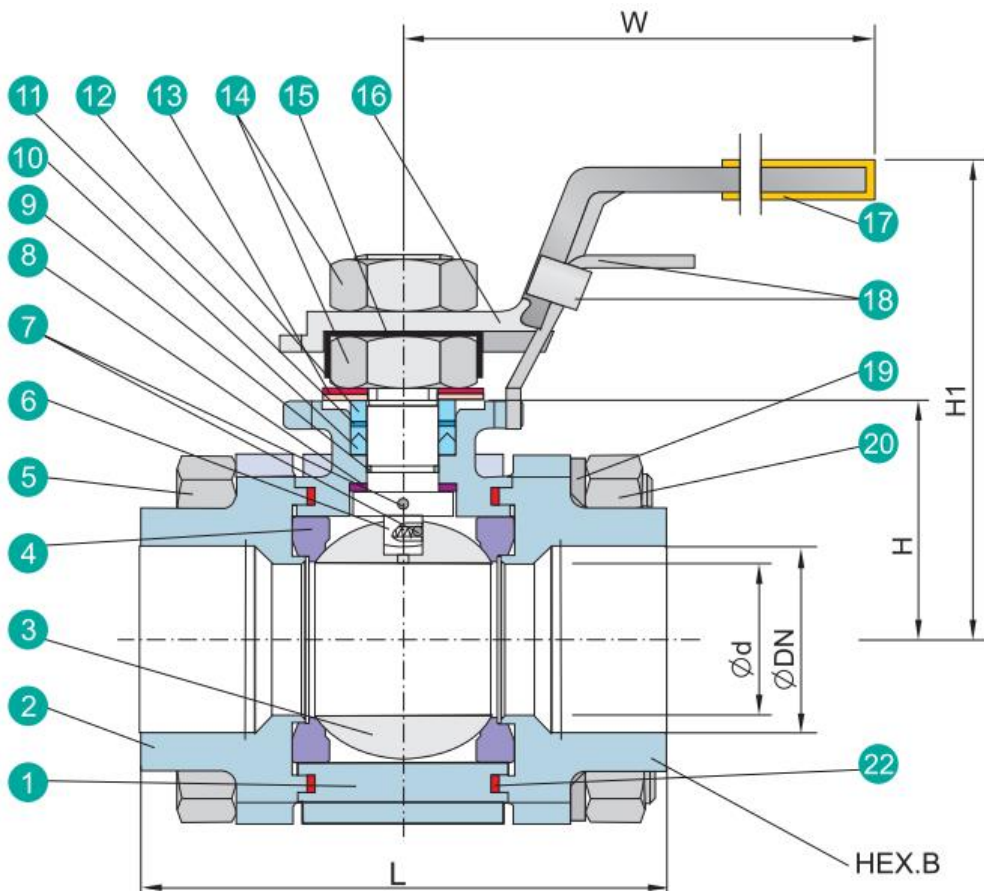


## THREE-PIECES BALL VALVE FOR HIGH PRESSURE APPLICATION SERIE 88 DN10-DN50 PN100

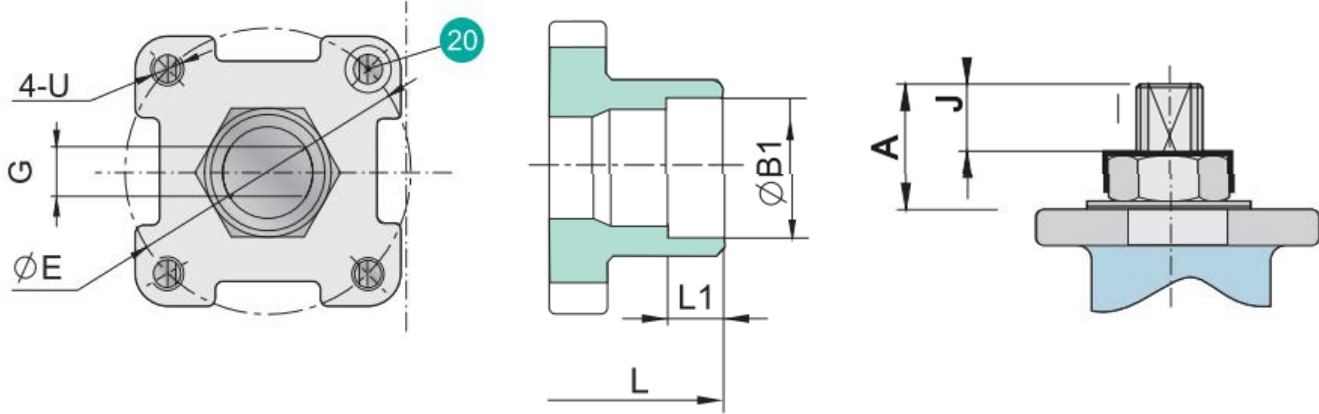


### Description

- DN10-DN50 PN100
- suitable for high pressure working conditions
- three-pieces ball valve
- flanged or threaded connections
- TA-LUFT design approved
- FIRE-SAFE design
- Built-in ISO5211 direct Mounting Pad for easy automation
- quality and precisiuous castings
- flowing ball
- full bore design
- blow-out proof stem



## THREE-PIECES BALL VALVE FOR HIGH PRESSURE APPLICATION SERIE 88 DN10-DN50 PN100



### Dimensions

DN	Ød	L	LB	LE	H	H1	W	ØE	G	U	A	J	L	ØB1	ØB2	ØB3	HEX.B
8	10,6	70	70	165	30	76	135	42	6,3	M5	17,3	10,4	11	14	7,6	18	23,5
10	12,7	70	70	165	30	76	135	42	6,3	M5	17,3	10,4	11	18	10,7	18	23,5
15	15	75	75	165	36	83	135	42	6,3	M5	20,3	11,8	11	22	13,9	22	28
20	20	80	90	190	39,5	83	135	42	6,3	M5	20,3	11,8	13	27,5	18,8	28	34
25	25	90	100	216	45,5	98	170	50	9	M6	23,3	12,5	13	34,5	24,3	34	46
32	31,8	110	110	229	50	103	170	50	9	M6	23,3	12,5	13	43	32,5	43	55
40	38,1	120	125	241	60	110	200	70	9,6	M8	30	15,1	13	48,6	38,1	50	57
50	50	140	150	292	68	119	200	70	9,6	M8	30	15,1	16	61,2	49,2	61	73

### Components

#	Part name	Material			#	Part name	Material
1	Body	CF8M	CF8	WCB	12	Gland	SUS316
2	Cap (threaded)	CF8M	CF8	WCB	13	Belleville Washer	SUS301
	Cap (welded)	CF3M			14	Stem Nut	A194-8
3	Ball	CF8M	CF8		15	Stop-lock-cap	SUS304
4	Seat	TFM/TFM+15% Carbon			16	Handle	SUS304
5	Bolt	A193 - B8			17	Handle Sleeve	Vinyl plastic
6	Stem	SUS316	SUS304		18	Locking Device	SUS304
7	Anti-static Device	SUS316	SUS304		19	Bolt Washer	SUS304
8	Thrust Washer	PTFE/GRAFOIL			20	Bolt Nut	A194-8
9	O-Ring	FKM(VITON)			21	Stop Bolt	A193-B8
10	Stem Packing	PTFE/GRAFOIL			22	Body Gasket	PTFE/GRAFOIL
11	Bushing	50%SS+50%PTFE/SUS304*					



Elišky Přemyslovny 1343  
156 00 Praha 5, mapol@iol.cz  
tel: +420 257 921 545, fax: +420 257 921 659

**THREE-PIECES BALL VALVE  
FOR HIGH PRESSURE APPLICATION  
SERIE 88  
DN10-DN50 PN100**

**Type 88-100 (threaded)**



**Type 88-300 (welded)**

