

DIAPHRAGM VALVE TYPE 995 DN 15 - 100



Description

- diaphragm valve hand operated
- cover made of SS
- hand wheel made of plastic
- non-rising hand wheel
- CIP+SIP sterilisation surface quality
- changeable limit stops
- flexible diaphragm fixing

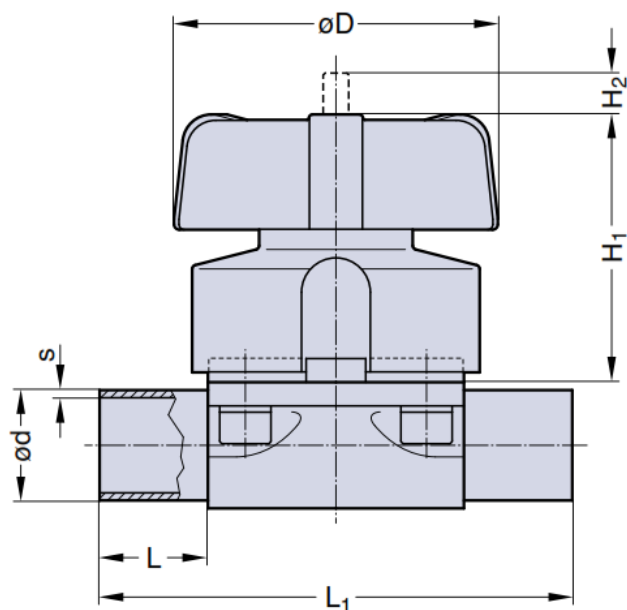
Technical parametres

- **Maximal working temperature:** upto 95°C
(as option upto 175°C extra charged available)
- **Maximal working pressure:**
10 bar
PTFE diaphragm, DN65 . DN100 = 8 bar
- **Connection:** buttweld, clamp, flanged

Materials:

- **Diaphragm:** EPDM or PTFE
- **Body:** forged 1.4435/316L
cast 1.4435/316L
(or others optional)

TYPE 995 / DN15 . DN50



TYPE 995 / DN65 . DN100

Dimensions (mm)

DN	MA	L	L ₁	H ₁	H ₂	D
15 - 25	25	25	120	71	10	90
32 - 40	40	25	153	91	14	114
50	50	30	173	110	23	140
65	80	30	216	180	38	198
80	80	30	254	180	38	198
100	100	30	305	220	50	252

