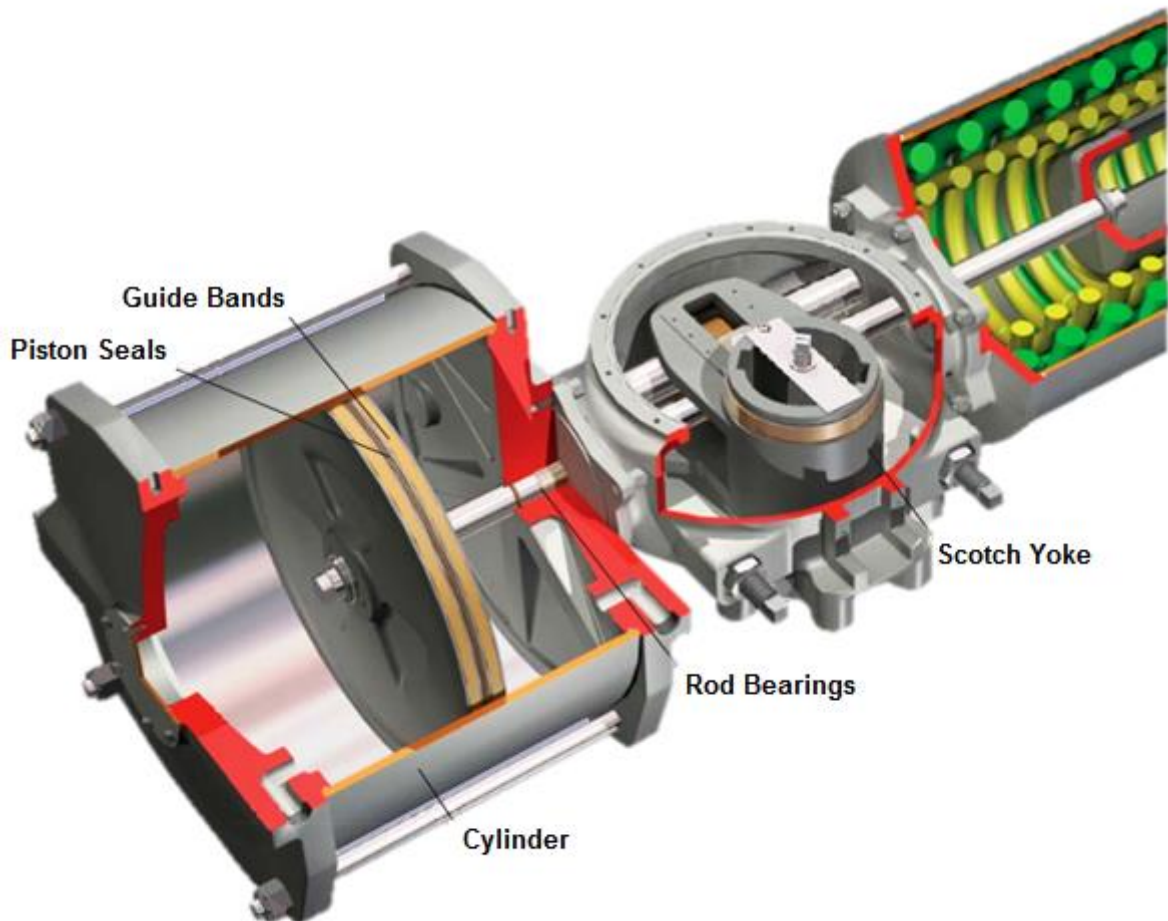
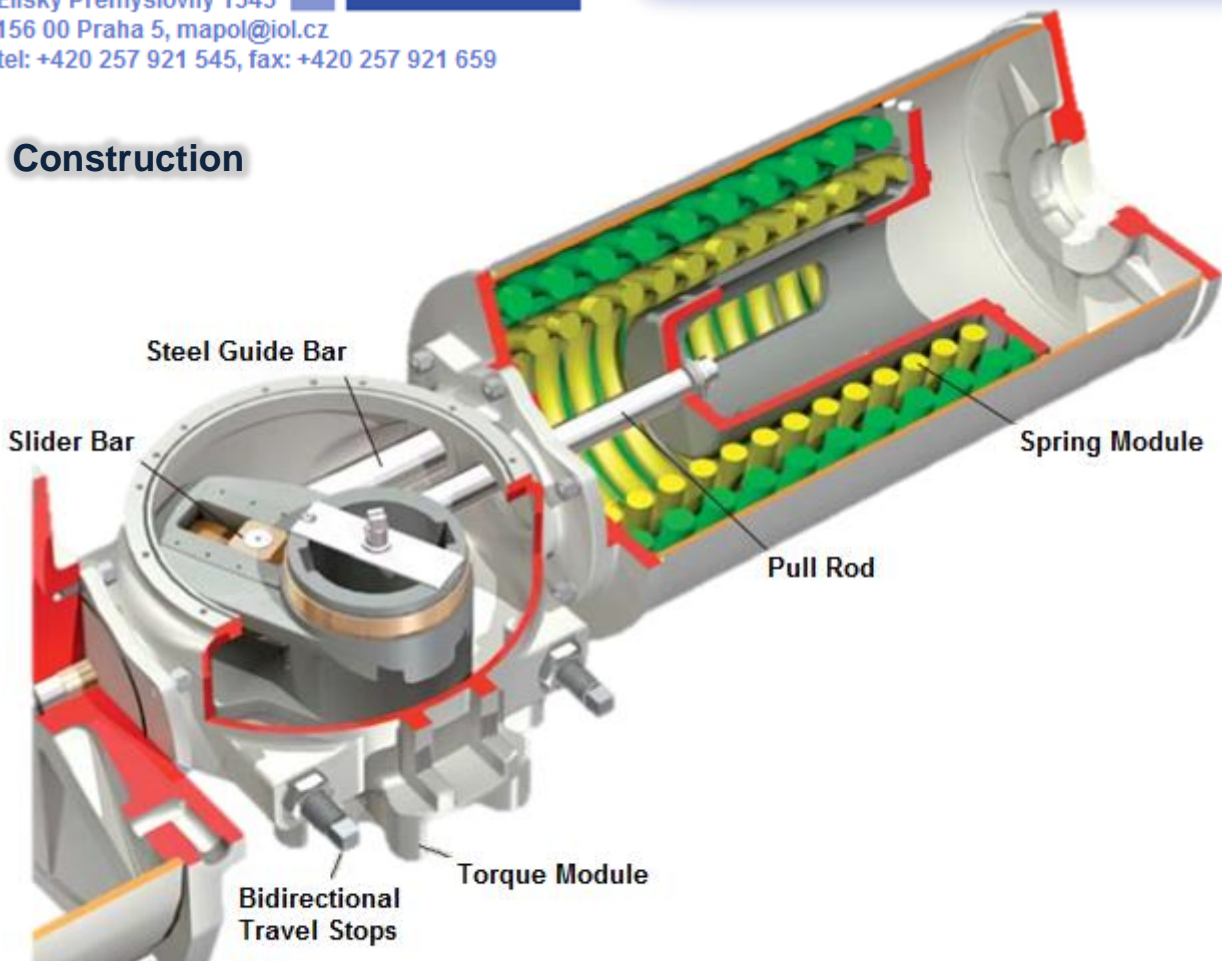




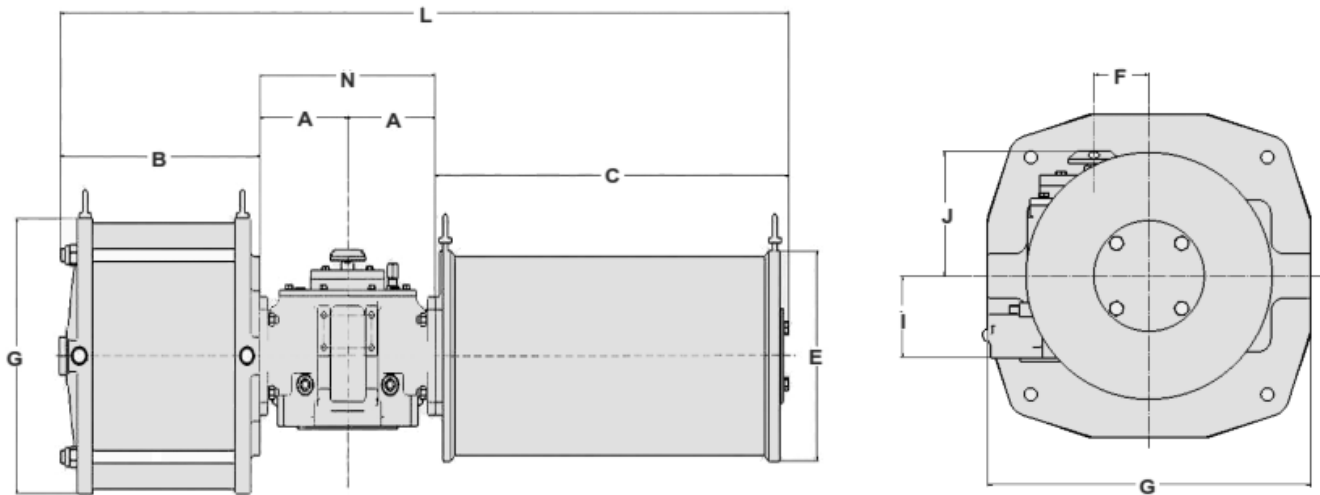
### Description

Flowserve pneumatic actuators can automate valves with torque from 2,8 . 248600Nm. Actuators are available in a wide range of materials suitable for use in the most demanding applications. Flowserve also offers a comprehensive range of NAMUR Controls and accessories such as lockout modules and gear overrides.

### Construction



## Dimensions and Weights



Dimmensions (mm)

TYPE	A	B	C	D	E	F	I	J	K	L	M	N	X	Y	Y1
RG1	141	310	498	18,5	264	55	99	129	610,5	1090	902	282	68	60	30
RG2	162	368	586	20	322	65	116	144	712	1278	1060	324	68	60	30
RG3	175	444	706	23	380	75	111	151	817	1500	1238	350	95	52	13
RG4	243	565	868	23	467	91	145	175	1074	1919	1616	486	95	60	30
RG5	312	716	1008	26	568	145	175,5	189,5	1366	2348	2056	624	95	60	30
RG6	394	756	1640	28	600	185	208	218	1572	3184	2300	788	95	60	30
RG7	500	810	2030	50	615	220	265	310	1860	3840	2620	1000	95	100	30
RG8	665	860	2600	55	680	280	306	360	2245	4790	3050	1330	95	100	30

Cylinder Size	5"	6"	7"	8"	9"	10"	12"	14"	16"	18"	20"	22"	24"	28"	32"	36"	40"
G	178	178	196	222	248	274	324	375	438	486	532	588	648	865	967	1069	1170
Port Size NPT	3/8"	3/8"	3/8"	3/8"	3/8"	1/2"	3/4"	3/4"	3/4"	1"	1"	1"	1"	1 1/2"	1 1/2"	1 1/2"	2"

Weight (kg)

Model	Torque (Nm)	Pressure module																
		5	6	7	8	9	10	12	14	16	18	20	22	24	28	32	36	40
RG1	31	14	16	22	24	30	43	63	-	-	-	-	-	-	-	-	-	-
RG2	45	-	-	-	25	32	45	65	95	145	-	-	-	-	-	-	-	-
RG3	65	-	-	-	-	45	64	91	145	185	255	-	-	-	-	-	-	-
RG4	134	-	-	-	-	-	-	99	154	194	266	337	428	-	-	-	-	-
RG5	231	-	-	-	-	-	-	-	162	207	277	388	452	743	-	-	-	-
RG6	423	-	-	-	-	-	-	-	-	224	280	391	478	787	1055	1384	-	-
RG7	853	-	-	-	-	-	-	-	-	-	-	-	-	829	1096	1435	1779	-
RG8	1686	-	-	-	-	-	-	-	-	-	-	-	-	984	1282	1533	1891	-

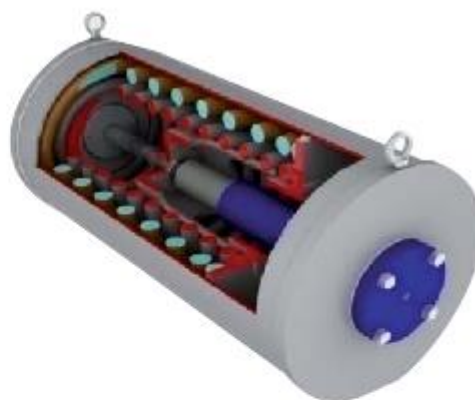
Model	Torque (Nm)	Weight (kg)							
		Spring module							
		1	2	3	4	5	6	7	8
RG1	31	40	44	46	47	48	52	54	54
RG2	45	58	66	70	72	72	78	82	85
RG3	65	103	118	121	122	125	150	146	-
RG4	134	183	201	210	217	232	248	257	254
RG5	231	290	335	350	356	410	434	-	-
RG6	423	583	790	760	787	937	907	-	-
RG7	853	1038	1339	1383	1444	1650	1686	-	-
RG8	1686	2103	2367	2779	2830	3232	3374	-	-

### Manual override options

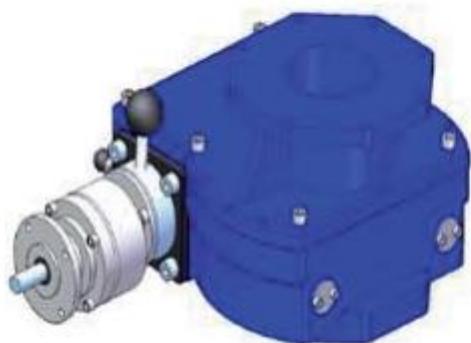
JackscREW



Hydraulic



Sandwich Gear



Bevel Gear



Model	ISO Mounting	Torque (Nm)	DA			
			Jackscrew		Sandwich Declutchable Gear	Hydraulic
			Direct Operation	Bevel Gear		
RG1	F14	2000	•	-	•	-
RG2	F16	4000	•	-	•	-
RG3	F25	8001	•	•	•	•
RG4	F30	16002	-	•	•	•
RG5	F35	32005	-	•	•	•
RG6	F40	63010	-	-	-	•
RG7	F48	125020	-	-	-	•
RG8	F60	248600	-	-	-	•

Model	ISO Mounting	Torque (Nm)	SR			
			Jackscrew		Sandwich Declutchable Gear	Hydraulic
			Direct Operation	Bevel Gear		
RG1	F14	2000	•	-	•	-
RG2	F16	4000	•	-	•	-
RG3	F25	8001	•	•	•	•
RG4	F30	16002	-	•	•	•
RG5	F35	32005	-	•	•	•
RG6	F40	63010	-	-	-	•
RG7	F48	125020	-	-	-	•
RG8	F60	248600	-	-	-	•