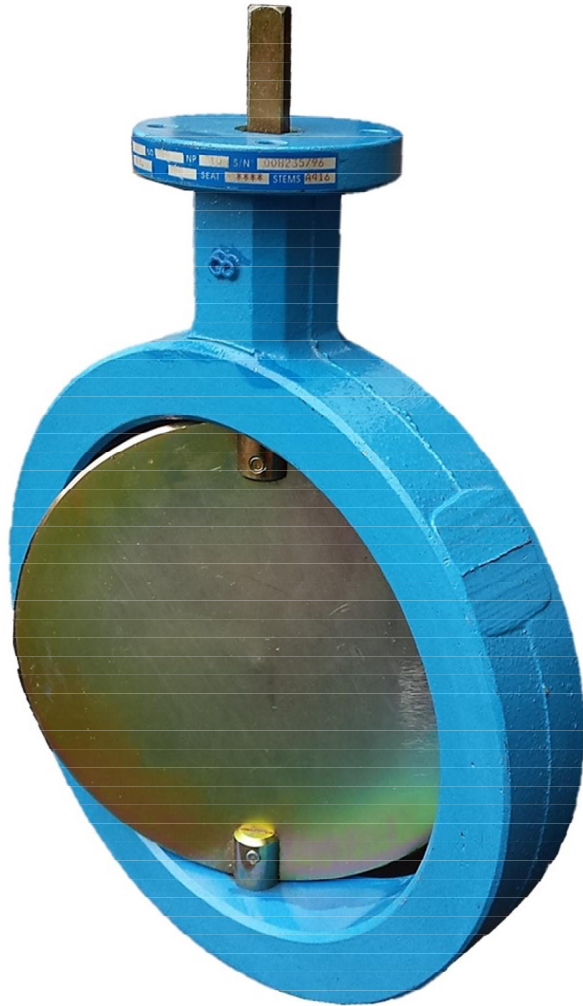


CONTROL VALVE TYPE 201 DN 150 – 1000 PN 6



Description

Control valves 201 series are suitable for regulation of flow the working substance but not suitable as shut-off valves. Due to construction without seals in seat have butterfly valves **extremely low torque**. This will means the saving money for control electric or pneumatic actuator.

Maximal working parameters

1 MPa
180°C

Assembly

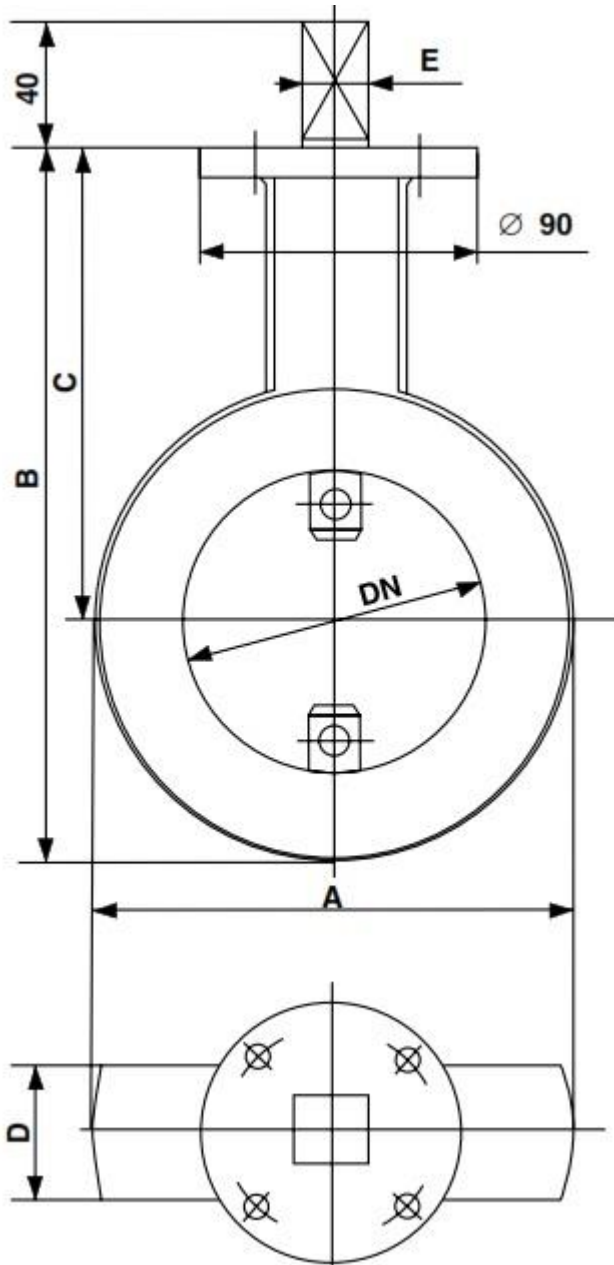
between flanges PN6-PN16 in any position

Operation

- lever
- gearbox
- electric actuator
- pneumatic actuator

CONTROL VALVE TYPE 201 DN 150 – 1000 PN 6

Dimensions /mm/



DN	A	B	C	D	E
150	202	256	155	32	12
200	258	329	200	48	12
250	312	381	225	48	16
300	365	432,5	250	48	16
350	430	530	315	55	16
400	482	582	341	60	25
500	585	685	392	70	25
600	685	785	442	80	25
700	790	895	500	80	25
800	890	995	550	80	25
900	990	1095	600	80	25
1000	1090	1209	664	80	25

Materials

Body	aluminum alloy with a protective coating epoxidized
Disc	steel, chrom-plated
Gasket	O-ring (Vitonu)