

Description

Control valves 210 series are suitable for regulation of gas and fluid flow. In fully closed position between body and disc remains the small gap, which causes the leakage in range of 0,5 . 1,5 Kv.

At most sizes of valves we offer several opportunities of reduction the hydraulic shape for using extension of valve and but for less usual requirements for regulation as well.

Delivery with all kind of actuators is possible.

For choosing the most suitable execution of the valve the following informations are needed:

- working fluid + working parameters
- minimal flow
- maximal flow + pressure throw this flow

Long-term using in the closed position is not favorable for this kind of the valve.

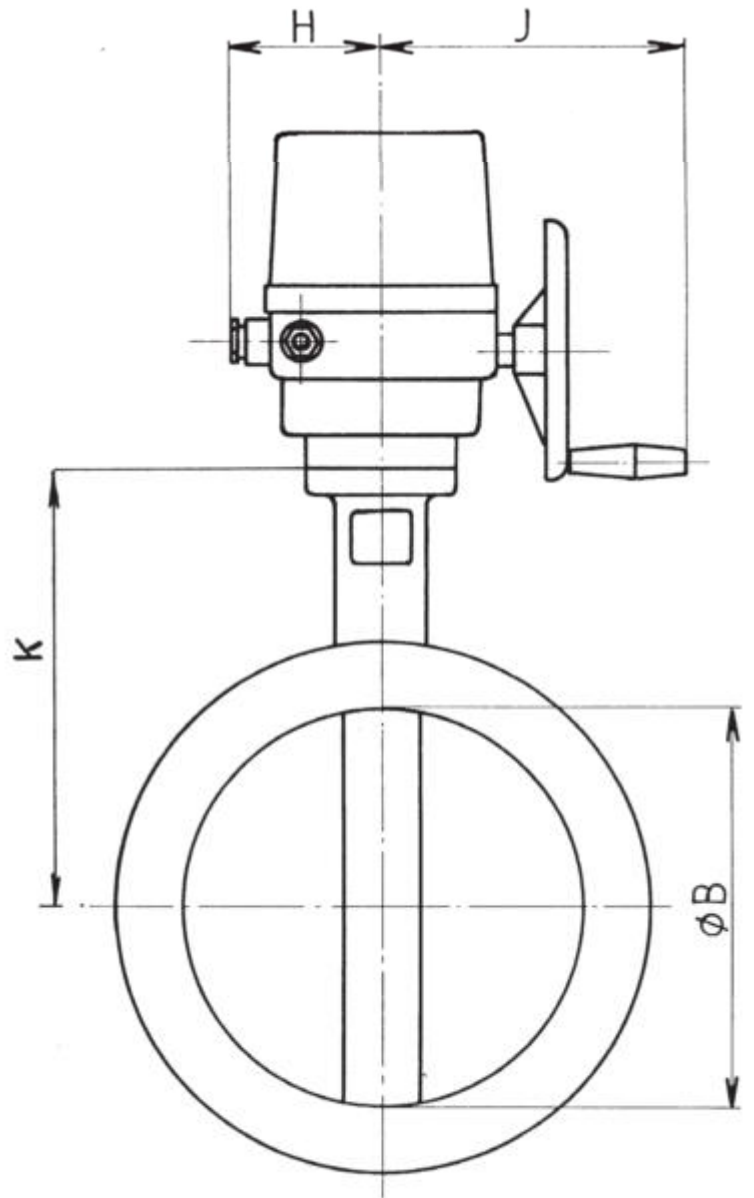
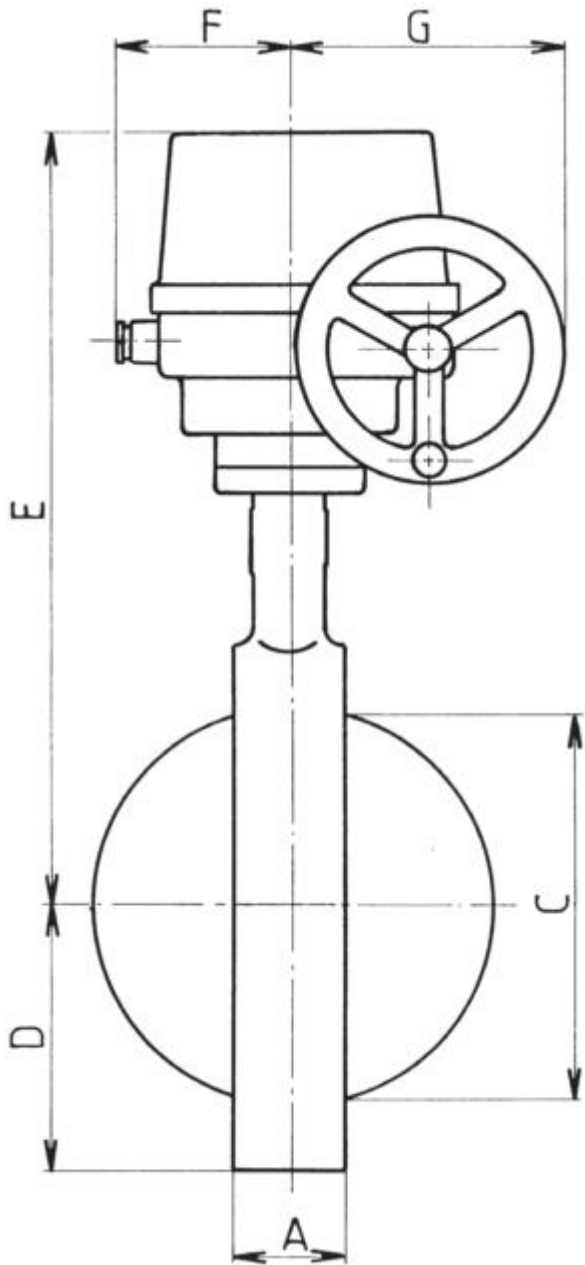
Material execution

- gray cast iron GG20
- steel 11375 etc.
- stainless steel AISI304, AISI316L etc.



CONTROL VALVE TYP L210/L210R DN 25 - 1200 PN 6,10,25,40

Dimensions /mm/





Elišky Přemyslovny 1343
156 00 Praha 5, mapol@iol.cz
tel: +420 257 921 545, fax: +420 257 921 659

CONTROL VALVE
TYPE L210/L210R
DN 25 – 1200
PN 6,10,25,40

DN	PN	Reduction \varnothing B	Actuator (for Δp 1Mpa)		A	D	E		
25	6/10/25/40	27	SP0		22	35	282		
32	6/10/25/40	36	SP1		28	42	289		
40	6/10/25/40	46			33	46	297		
50	6/10/25/40	46,57			43	55	350		
65	6/10/25/40	70,57			46	65	361		
80	6/10/25/40	82,70,57			46	73	368		
100	6/10/25/40	104,82,70			52	83	388		
125	6/10/25/40	127,104,82			56	97	403		
150	6/10/25/40	150,127,104			56	110	417		
200	6/10/25/40	194,15,127			SP2		60	138	503
250	6/10/25/40	247,194,150,127			SP2,3		60	165	548
300	6/10/25/40	297,247,194,150	SP2,4		60	192	571		
350	6/10/25/40	332,297,247,150	SP2,4*		60	222	585		
400	6/10/25/40	387,332,297,247	SP2,5**		102	250	615		
450	6/10/25/40	-	-		-	-	-		
500	6/10/25/40	-	-		-	-	-		
600	6/10/25/40	-	-		-	-	-		
700	6/10	-	-		-	-	-		
800	6/10	-	-		-	-	-		
900	6/10	-	-		-	-	-		
1000	6/10	-	-		-	-	-		
1100	6/10	-	-		-	-	-		
1200	6/10	-	-		-	-	-		
DN	F	G	H	J	K	Weight (kg)			
	46	81	69	63	120	2,3			
32					127	2,9			
40	98	186	93	183	135	3,6			
50					145	9,3			
65					156	10,1			
80					163	10,2			
100					183	11,1			
125					198	13,1			
150					212	18,6			
200					243	22,0			
250					288	36,0			
300					123	174	118	203	311
350	325	58,0							
400	355	69,0							
450	-	-							
500	-	-							
600	-	-							
700	-	-							
800	-	-							
900	-	-							
1000	-	-							
1100	-	-							
1200	-	-							