

Analog positioner type SRI990 with analog input 4 - 20mA is designed to control pneumatic valves. The main advantage is simple settings using switches and potentiometers. Modular structure allows the simple reconstruction to intelligent device based on the exchange of electronics.

Main advantages and features

- configuration using the switches and potentiometers
- low air consumption
- mechanical indicator
- simple reconstruction to intelligent solution%

Technical parameters

Parameters	Values
Input	Two-wire system
Signal	4 - 20 mA
Characteristics	linear
Input voltage	12 - 36 V DC
Connections	NAMUR
Bushing	Em 20*1,5 (for cable Ø6-12)
Weight	single acting = 1,7 kg double acting = 2,0 kg

Working conditions

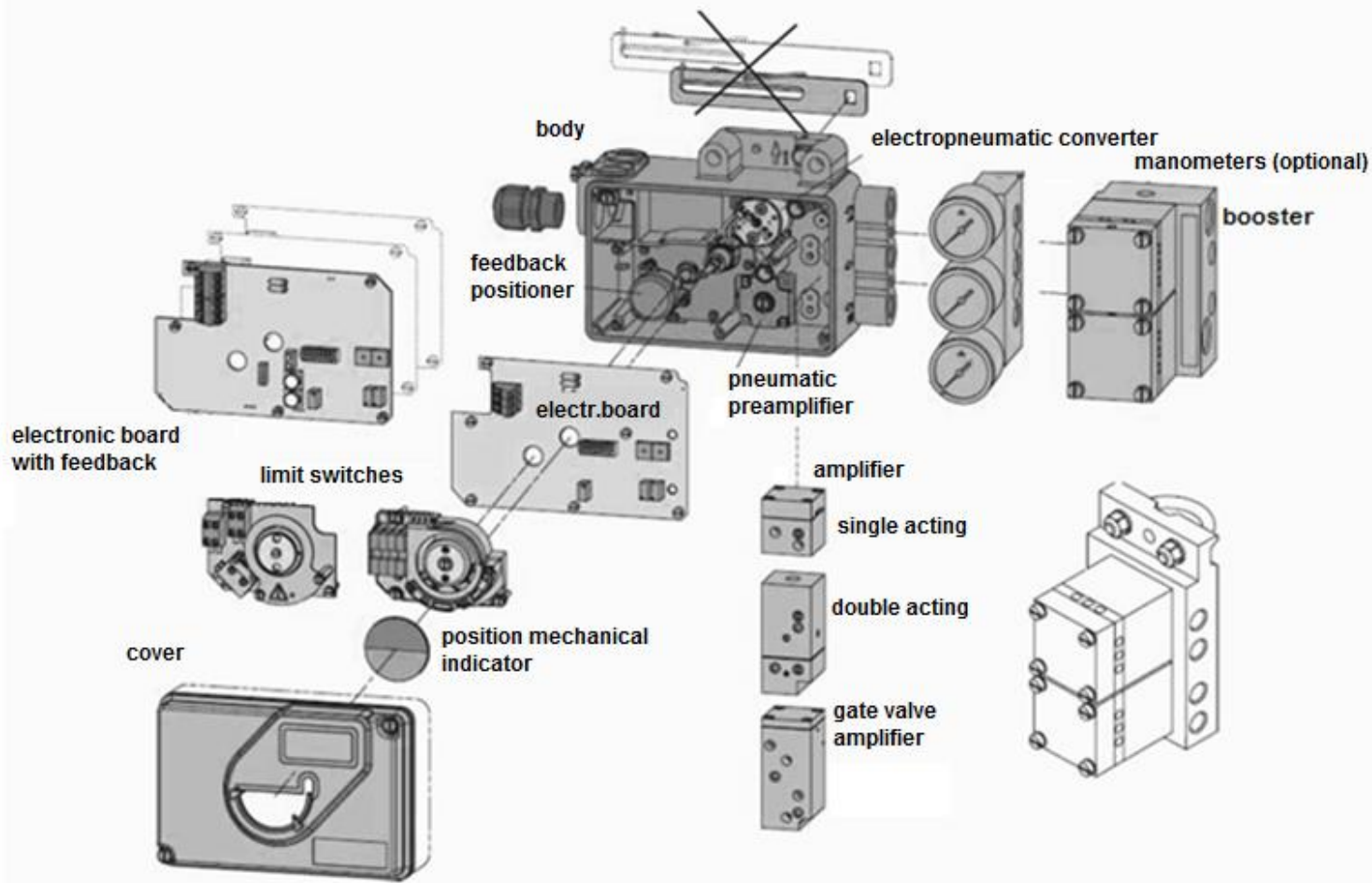
- ambient temp. - 40°C + 80°C
- humidity up to 100%
- protection IP65

Materials

- body aluminium
- moving parts stainless steel 1.4306

POSITIONER TYPE SRI 990

Positioner Ě part list



POSITIONER TYPE SRI 990

Dimensions

