

## POSITIONER SIEMENS SIPART PS2 TYPE XD



SIPART PS2 is currently the most widely used positioner for linear and part-turn actuators in a wide range of process industries and is suitable for wide range of rotary and stroke valves. SIPART PS2 is equipped with comprehensive diagnostics functions as standard.

### The main advantages and features

- automatic initialization makes easier to put the device into the operation
- low consumption of control air
- wide self autodiagnosics
- LCD display and configuration buttons allow the settings directly in operation
- possibility of the separate positioner execution . suitable for vibration
- wide range of the cover executions
- certification: ATEX (EEx d, EEx ia), SIL-2

### Technical parameters



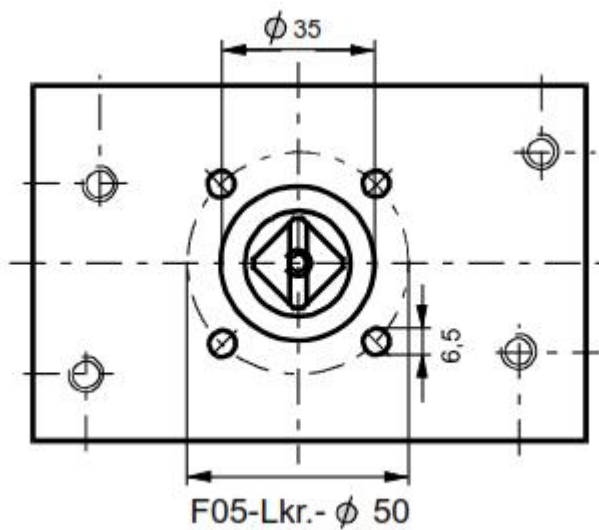
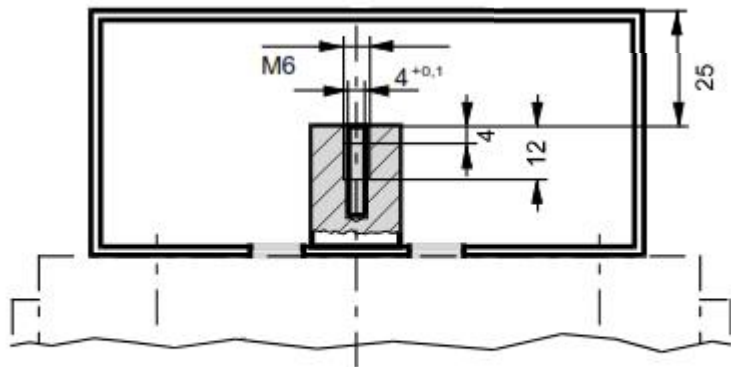
Parametrs	Values
Angle of rotation	30° - 100°
Distinction	m0,05 %
Position error	m0,20 %
Weight	0,9 kg
Ambience	Class 4 acc. DIN EN 60721-3-4
Temperature	-30°C to +80°C
Leakage	<6.10 <sup>-4</sup> Nm <sup>3</sup> /h
Oil content	Class 2
Dew point	Class 2 (20k below amb.temp)
Air pressure	1,4 - 7 bar

## SIEMENS

### Materials

- makrolon with glass feber

### Connection



### Connection diagram

