

BALL VALVE WITH HEATING JACKET

Type V1-FW
DN15 – DN150

Construction

- threaded bores for mounting between flanges PN16-PN40
- actuator flange acc.to ISO5211
- short face-to-face
- antistatic
- fire safe design

Heating jacket connection

- threaded
- flanged

Control

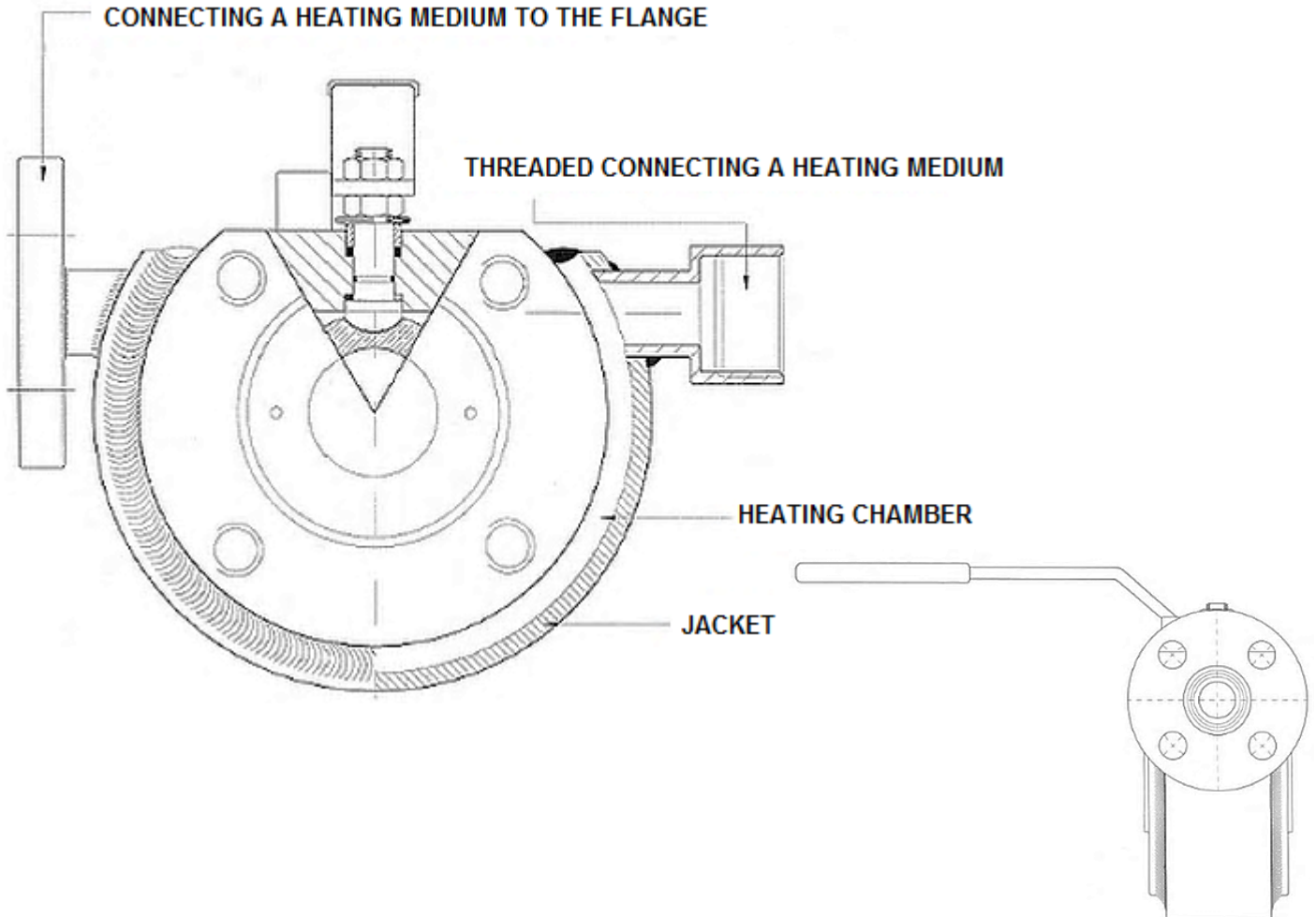
- lever
- lever with gearbox
- pneumatic actuator
- elektric actuator

Part list

Part	Material	
Body	ASTM A105	SS F 316
Bolt	8.8. pozink	
Body cover	ASTM A105	SS F 316
Shaft	SS F 316	SS F 316
Ball	SS. F 304/316	SS F 316
Seat	RPTFE	RPTFE
Packing seat	RPTFE	RPTFE
Shaft packing	RPTFE	RPTFE
Sealing cover	stainless steel	
Lever	galvanized carbon steel	
Lever and nut	galvanized carbon steel	
Spring	galvanized carbon steel	
Stop	galvanized carbon steel	



BALL VALVE WITH HEATING JACKET DN15 – DN150



Dimensions /mm/

DN	ØD	H	L	M	A	C	kg
15	88	78	35	150	50	19	1,5
20	98	87	42	185	60	23	2
25	108	91	46	185	65	23	2,7
32	128	106	55	280	80	29	3,8
40	138	111	66	280	90	30	6,5
50	148	120	72	280	96	32	8
65	168	157	98	380	132	53	15
80	188	161	120	380	139	48	20
100	220	181	140	480	160	55	30
125	250	205	177	480	180	65	47
150	280	220	210	480	200	68	69

